

# Plasmid data sheet

Plasmid name: Orange enhanced Nano-lantern (OeNL)/ pcDNA3

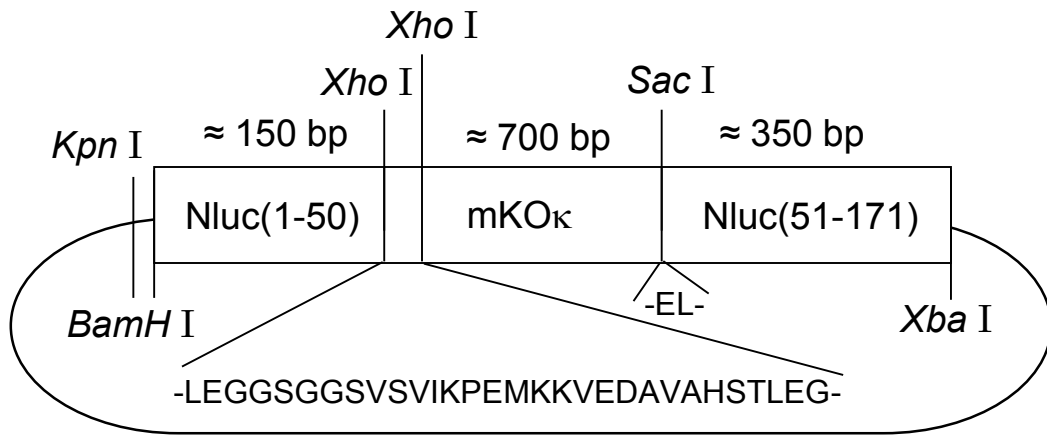
Inserted gene: Orange enhanced Nano-lantern (OeNL)

Inserted size: ~1.25kb

Digestion site: BamHI / XbaI

Antibiotics: Amp

Memo:



pcDNA3-OeNL